

DESCRIPTION

The IF-D91 is a high-speed photodiode detector housed in a “connector-less” style plastic fiber optic package. Optical response of the IF-D91 extends from 400 to 1100 nm, making it compatible with a wide range of visible and near-infrared LED and laser diode sources. This includes 650 nm visible red LEDs used for optimum transmission in PMMA plastic optical fiber. The detector package features an internal micro-lens and a precision-molded PBT housing to ensure efficient optical coupling with standard 1000 μm core plastic fiber cable.

APPLICATION HIGHLIGHTS

The fast response times of the IF-D91 make it suitable for high-speed digital data links. When used with an appropriate LED or laser diode source the IF-D91 is capable of 100 Mbps data rates. The IF-D91 also can be used in analog video links with bandwidths up to 70 MHz. The integrated design of the IF-D91 provides simple, cost-effective implementation in a variety of analog and digital applications.

APPLICATIONS

- ▶ High-Speed Digital Data Links
- ▶ Local Area Networks
- ▶ Motor Controller Triggering
- ▶ Video Links
- ▶ Medical Instruments
- ▶ Automotive Electronics
- ▶ Robotics Communications
- ▶ EMC/EMI Signal Isolation
- ▶ Fiber Optic Modems

FEATURES

- ◆ Fast Rise and Fall Times
- ◆ Mates with Standard 1000 μm Core Jacketed Plastic Fiber Optic Cable
- ◆ No Optical Design Required
- ◆ Inexpensive Plastic Connector Housing
- ◆ Internal Micro-Lens for Efficient Optical Coupling
- ◆ Connector-Less Fiber Termination
- ◆ Light-Tight Housing provides Interference Free Transmission
- ◆ RoHS Compliant

MAXIMUM RATINGS

($T_A=25^\circ\text{C}$)

Operating and Storage Temperature Range (T_{OP}, T_{STG}).....	-40° to 85°C
Junction Temperature (T_J)	85°C
Soldering Temperature (2 mm from case bottom) (T_S) $t \leq 5$ s	240°C
Power Dissipation (P_{TOT}) $T_A=25^\circ\text{C}$	100 mW
De-rate Above 25°C	1.33 mW/°C

CHARACTERISTICS ($T_A=25^\circ\text{C}$)

Parameter	Symbol	Min	Typ	Max	Unit
Wavelength for Maximum Photosensitivity	λ_{PEAK}	-	880	-	nm
Spectral Bandwidth ($S=10\%$ of S_{MAX})	$\Delta\lambda$	400	-	1100	nm
Rise and Fall Times (10% to 90% and 90% to 10%) ($R_L=50 \Omega$, $V_R=20\text{V}$, $\lambda=850\text{ nm}$)	t_r, t_f	-	5	-	ns
Total Capacitance ($V_R=20\text{ V}$, $E_E=0$, $f=1.0\text{MHz}$)	C_T	-	4	-	pF
Responsivity min. @ 880 nm @ 632 nm	R	-	.4 .2	-	$\mu\text{A}/\mu\text{W}$ $\mu\text{A}/\mu\text{W}$
Reverse Dark Current ($V_R=30\text{ volts}$, $E_E=0$)	I_D	-	-	60	nA
Reverse Breakdown Voltage	$V_{(BR)R}$	60	-	-	V
Forward Voltage	V_f	-	1.2	-	V

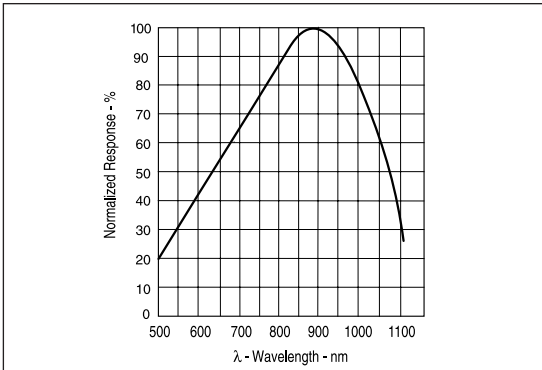


FIGURE 1. Typical detector response versus wavelength.

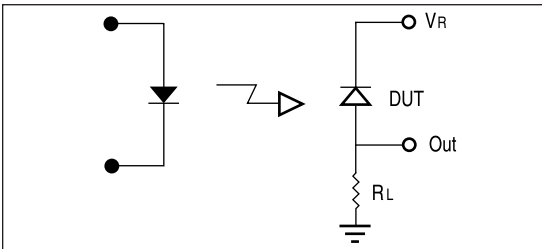


FIGURE 2. Circuit diagram for measuring rise and fall times.

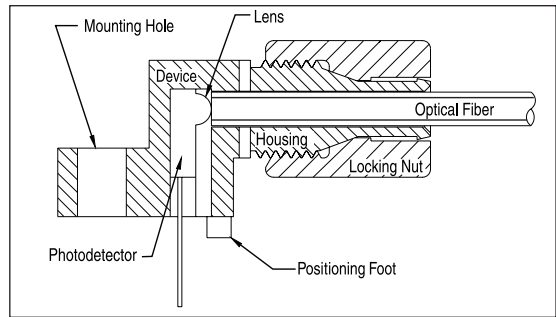


FIGURE 3. Cross-section of fiber optic device.

FIBER TERMINATION INSTRUCTIONS

1. Cut off the ends of the optical fiber with a single-edge razor blade or sharp knife. Try to obtain a precise 90-degree angle (square).
2. Insert the fiber through the locking nut and into the connector until the core tip seats against the internal micro-lens.
3. Screw the connector locking nut down to a snug fit, locking the fiber in place.

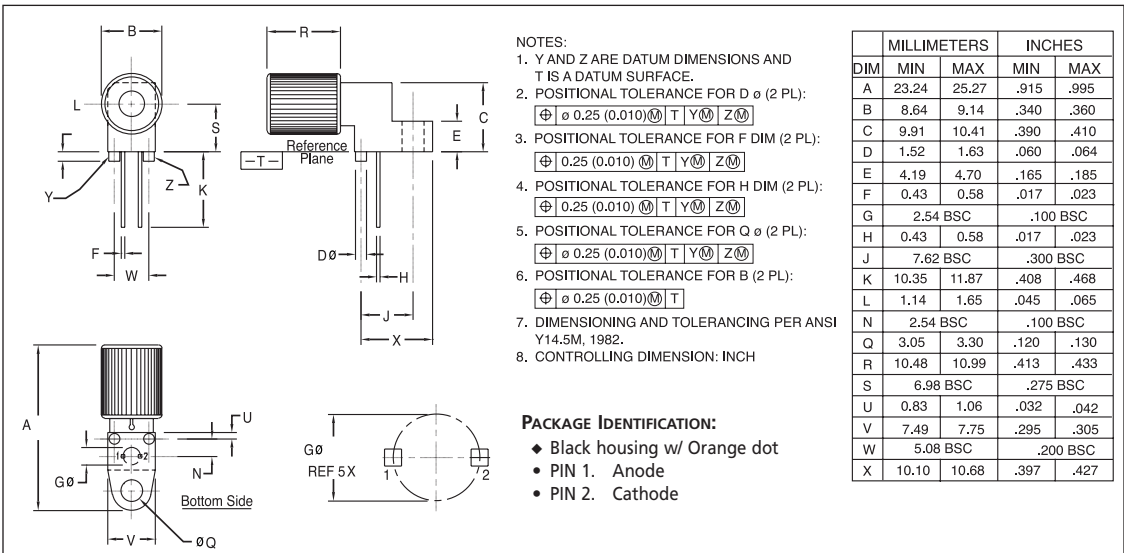


FIGURE 4. Case outline.